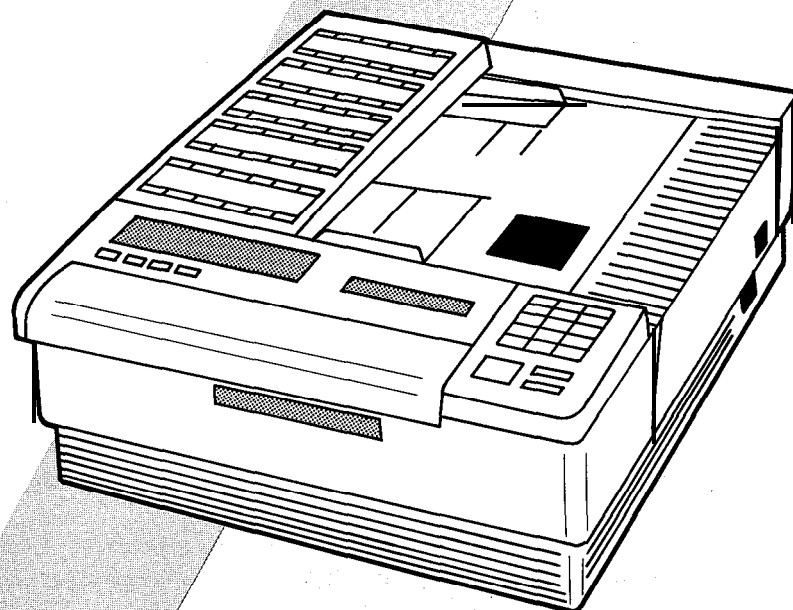


**OKI**

# **OKIFAX OF-38**

Facsimile Transceiver

*MECHANICAL ASSEMBLY  
DRAWINGS/  
PARTS **LIST***



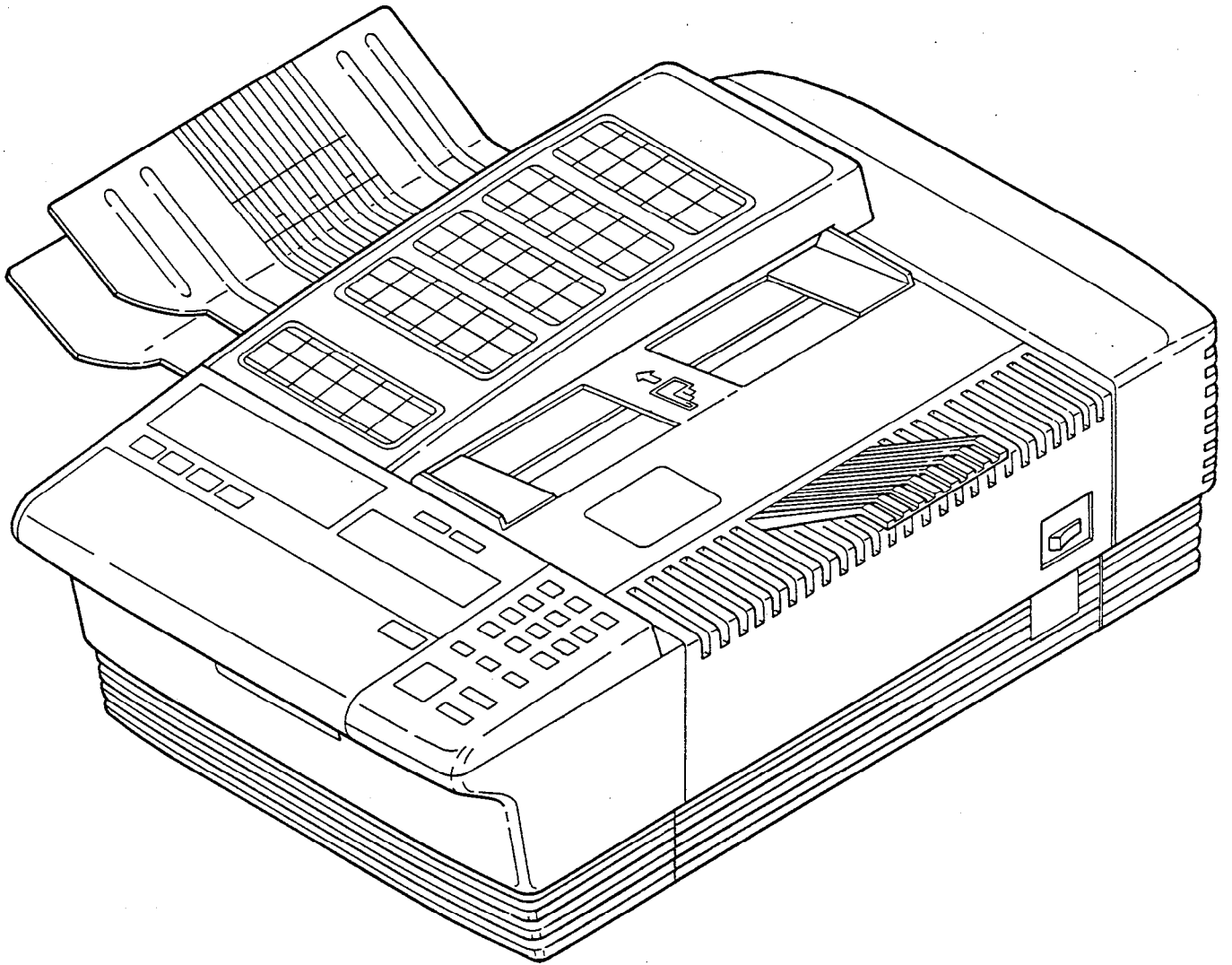
## Mechanical Assembly Drawings/Parts list

# OKIFAX OF-38

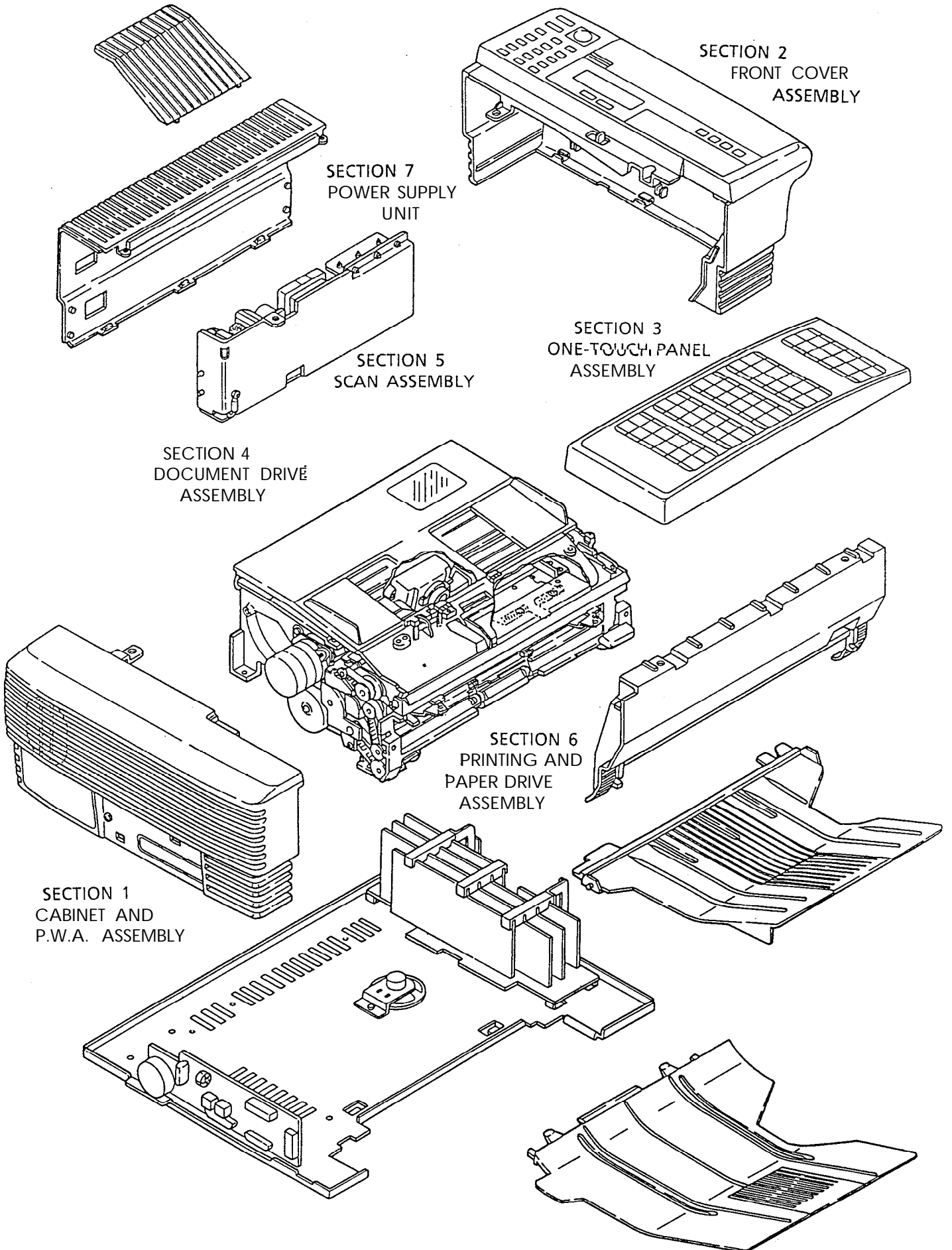
## MECHANICAL ASSEMBLY DRAWINGS/PARTS LIST

### CONTENTS

	<u>Page</u>	
	Drawings	Parts List
Section 1 Cabinet and P.W.A. Assembly	1	2, 3
Section 2 Front Cover Assembly	5	6
Section 3 One-touch Panel Assembly	7	8
Section 4 Document Drive Assembly	9	10, 11
Section 4 Paper Guide (D) Assembly (Detail A)	13	14, 15
Section 4 Drive Assembly (Detail B)	17	18
Section 4 Paper Cover Assembly (Detail C)	19	20
Section 5 Scan Assembly	21	22, 23
Section 6 Printing and Paper Drive Assembly	25	26, 27, 28
Section 7 Power Supply Unit	29	30
Section 8 Cables	31	32



# ASSEMBLY



SECTION 2  
FRONT COVER  
ASSEMBLY

SECTION 7  
POWER SUPPLY  
UNIT

SECTION 5  
SCAN ASSEMBLY

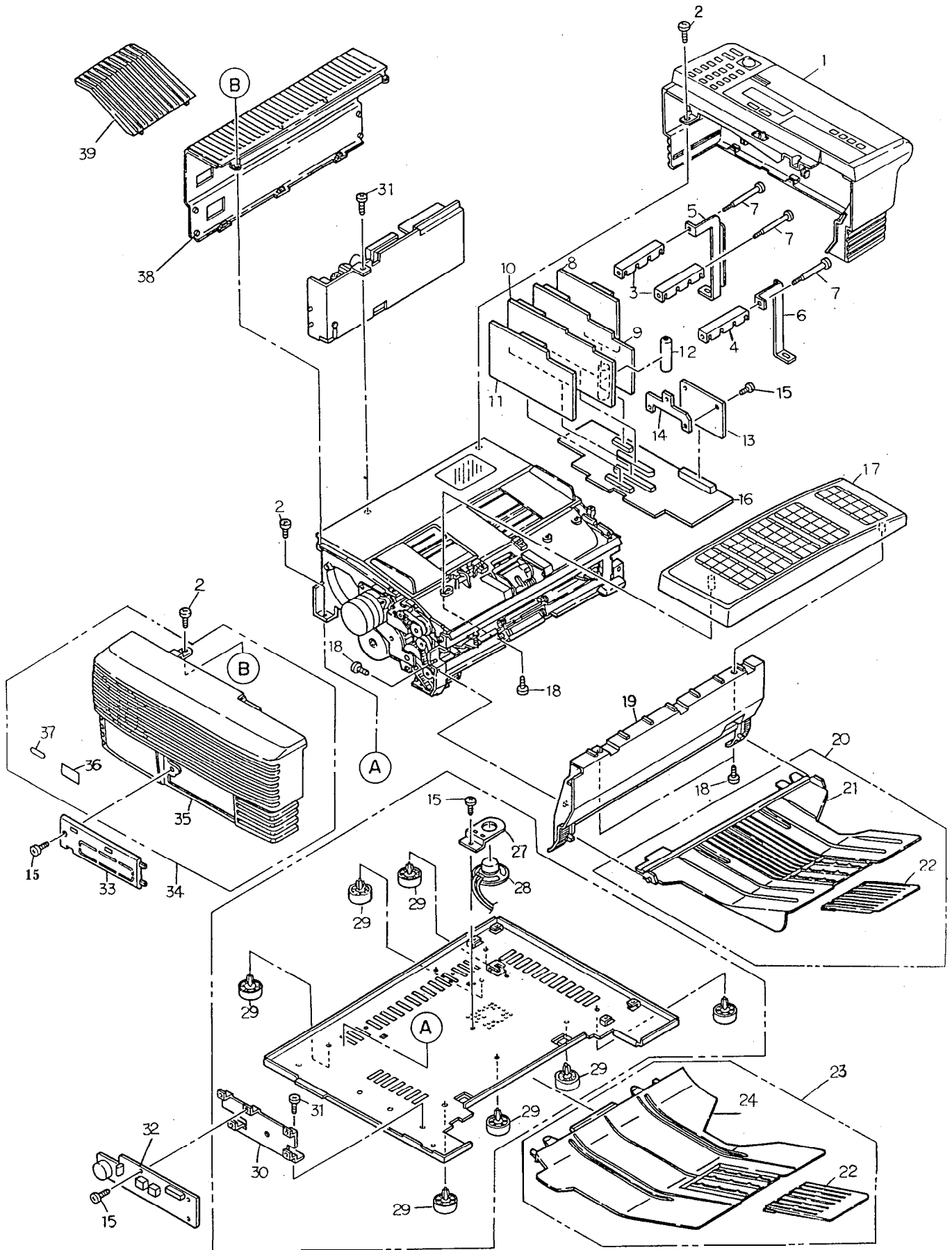
SECTION 3  
ONE-TOUCH PANEL  
ASSEMBLY

SECTION 4  
DOCUMENT DRIVE  
ASSEMBLY

SECTION 6  
PRINTING AND  
PAPER DRIVE  
ASSEMBLY

SECTION 1  
CABINET AND  
P.W.A. ASSEMBLY

# SECTION 1 CABINET AND P.W.A. ASSEMBLY



Item No.	OKI Parts Number	Description	Q'ty	Remarks
1	3PA3512-4179G7	FRONT COVER ASSEMBLY	1	
2	⊕D4-8-F	SCREW	8	
3	4PP3512-4177P1	HOLDER, PWA	2	
4	4PP3512-4177P2	HOLDER, PWA	1	
5	4PP3512-4247P1	POST, PWA	1	
6	4PP3512-4248P1	POST, PWA	1	
7	4PP3512-4176P1	SCREW, Special	3	
8	4YU3512-1667G4	P.W.A. [NCU-18I]	1	
9	4YU3512-1657G1	P.W.A. [MCNT2-18]	1	
10	4YU3512-1656G1	P.W.A [MCNT1-18]	1	
11	4YU3512-1747G3	P.W.A. [RR-18]- (1M)	1	
11a	4YU3512-1748G3	P.W.A. [RR-18]- (2M)	1	
12	455A3023P0002 or 455A3032P0001	Battely	1	
13	4YB3522-1109G1	P.W.A. [MODEM]	1	
14	4PP3512-4175P1	BRACKET, MODEM	1	
15	⊕D3-6-F	SCREW	15	
16	4YU3512-1661G1	P.W.A. [MB-18]	1	
17	4YB3512-1724G4	ONE-TOUCH PANEL ASSEMBLY	1	
18	⊕D3-8-F	SCREW	6	
19	1PP3512-4132P2	COVER, Side (L)	1	
20	4PA3512-3862G 1	STACKER, Document ASSEMBLY (Includes Items 21,22)	1	

ISSUE	DATE	REMARKS ON REVISIONS	<b>OK1</b>		TITLE
					SECTION 1 CABINET AND P. W. A. ASSEMBLY 1/2
			DATE OF ISSUE	APPROVED	TITLE
			CHECKED	DESIGNED	
TITLE: OF-38					DWG NO

**OKI electric industry co., ltd.**

JAPAN

item No.	OKI Parts Number	Description	Q'ty	Remarks
21	1PP3512-3863P1	STACKER, Document	1	
22	3PP3512-3026P2	SUB-STACKER	2	
23	4PA3512-3989G1	STACKER, Paper ASSEMBLY (includes Items 22, 24)	1	
24	1PP3512-3876P1	STACKER, Paper	1	
25	1PA3512-4201G4	COVER, Base ASSEMBLY (includes Items 26-31)	1	
26	1PP3512-4133P1	COVER, Base	1	
27	4PP3512-3753P1	BRACKET, Speaker	1	
28	4YS3512-1685P1	SPEAKER ASSEMBLY	1	
29	134A1070P0001	PLASTIC, Foot	7	
30	3PP3512-4220P1	BRACKET, AUX	1	
31	⊕D4-6F	SCREW	5	
32	4YU3512-1721G4	P.W.A. [AUX-181)	1	
33	3PP3512-4169P2	CAP, Terminal	1	
34	1 PA351 2-4202G6	COVER, Rear ASSEMBLY (Includes Items 35, 36, 37)	1.	
35	2PP3512-4196G1	COVER, Rear	1	
36	3PP3512-3327P53	PLATE, Serial number - (1 M)	1	
36a	3PP3512-3327P52	PLATE, Serial number -(2M)	1	
37	4PP3522-3273P1	LABEL, Factory inspect	1	
38	3PA3512-4123G2	COVER, Side(R) ASSEMBLY	1	
39	3PP3512-3856P1	SUB-TRAY	1	

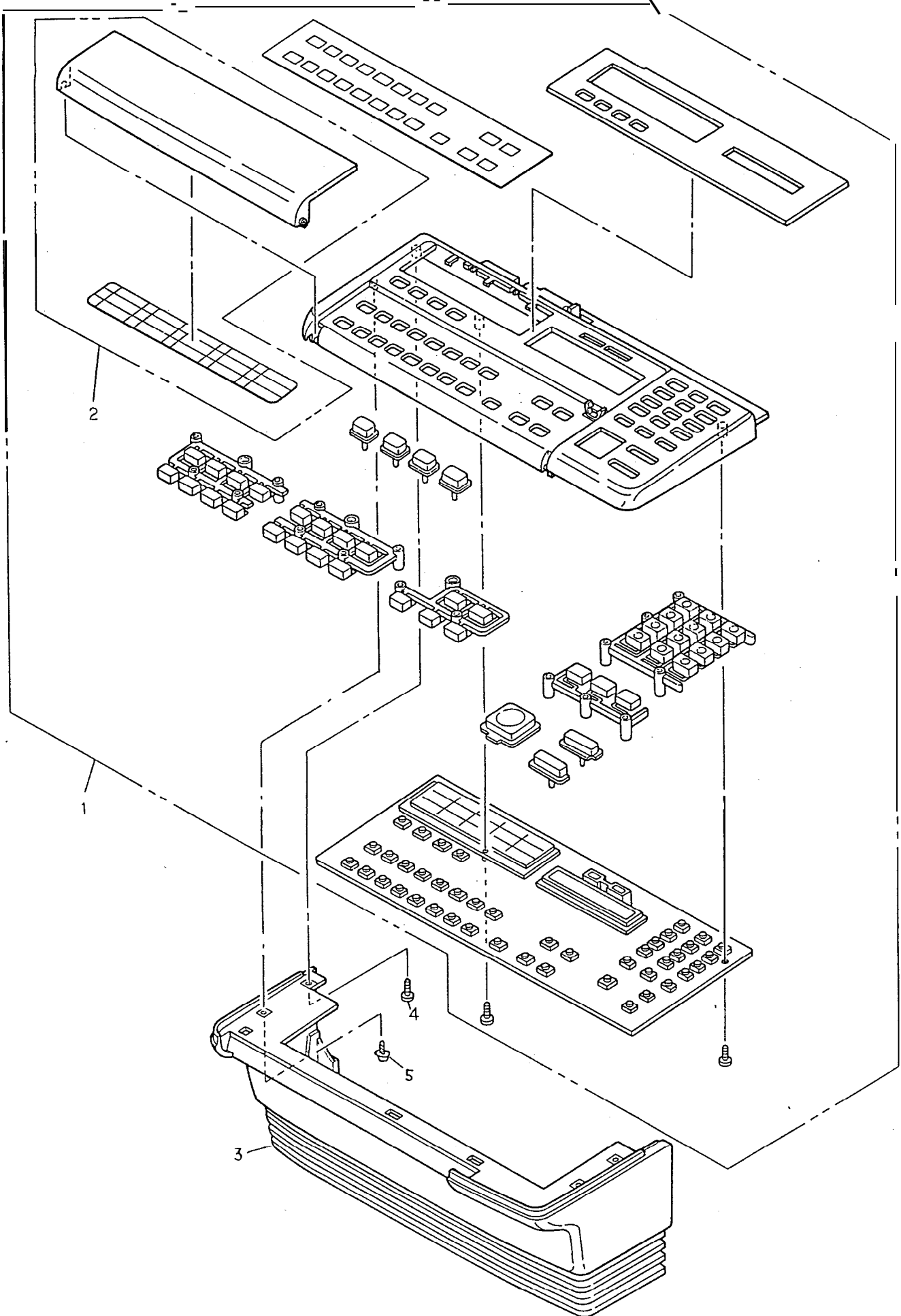
ISSUE	DATE	REMARKS ON REVISIONS	<b>OK 1</b>		TITLE
			DATE OF ISSUE	APPROVED	SECTION 1 CABINET AND P. W. A. ASSEMBLY 2/2
			CHECKED	DESIGNED	TITLE
TITLE: OF-38			DWG NO		

**OKI electric industry co., ltd.**

JAPAN

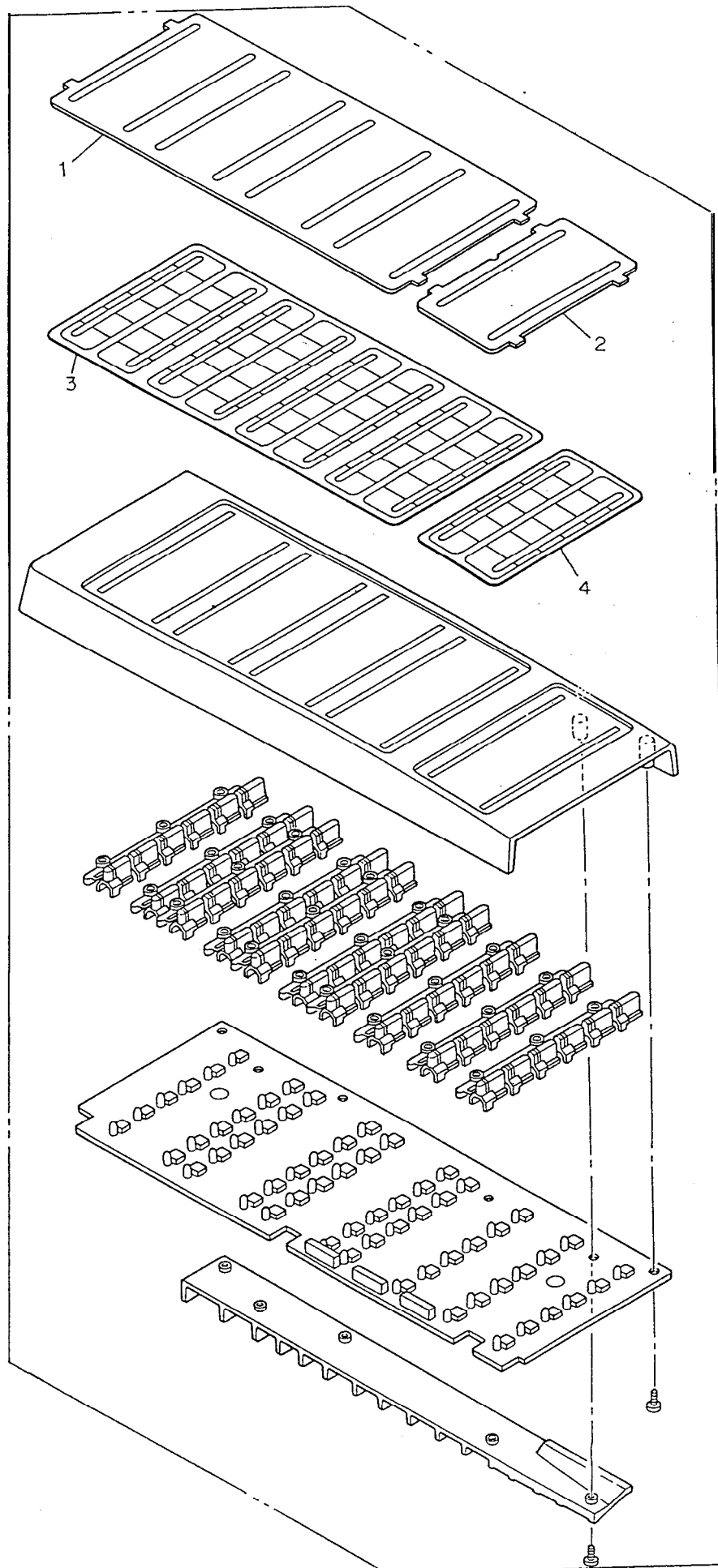


SECTION 2 FRONT COVER ASSEMBLY



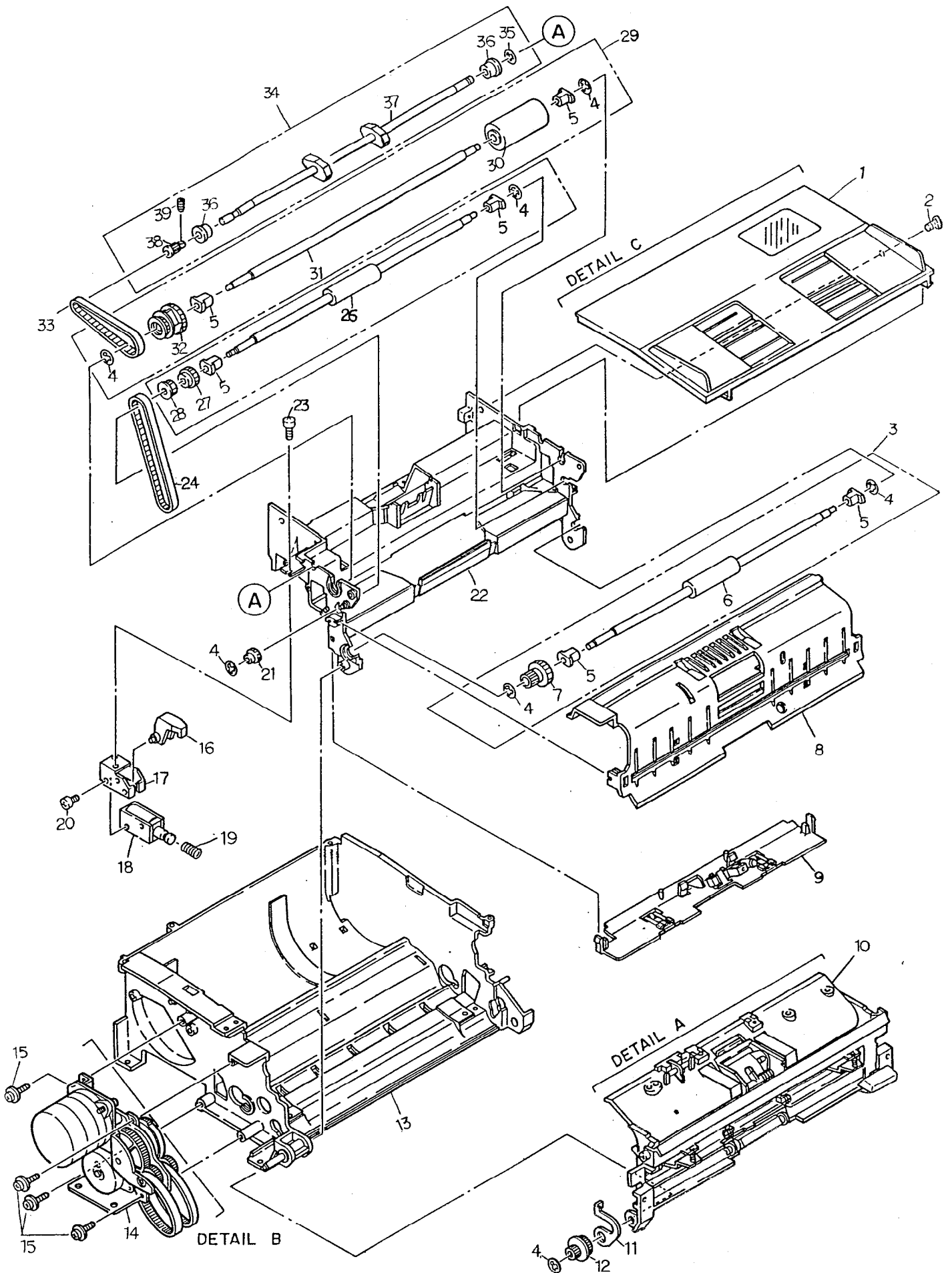


### SECTION 3 ONE-TOUCH PANEL ASSEMBLY





# SECTION 4 DOCUMENT DRIVE ASSEMBLY



Item No.	OKI Parts Number	Description	Q'ty	Remarks
1	2PA3512-4147G2	COVER, Paper-compartment ASSEMBLY (See Detail-C)	1	
2	⊕TTP (WH) 3-8-HH	SCREW, Tapping	2	
3	3PA3512-3794G1	FEED ROLLER ASSEMBLY, Bottom (Includes Items 4-7)	1	
4	CS TYPE 04	WASHER, Compression	7	
5	4PP3512-3776P1	BUSHING, Metal	6	
6	3PP3512-3720P1	ROLLER, Feed bottom	1	
7	4PP3512-3730P1	PULLEY One-way (Z47/23)	1	
8	2PP3512-3697P1	GUIDE, Document	1	
9	3PA3512-3799G6	GUIDE, Exit(U) ASSEMBLY	1	
10	1PA3512-4119G2	PAPER GUIDE(D) ASSEMBLY (See Detail-A)	1	
11	4PP3512-4067P1	PLATE, Guide(G)	1	
12	4PP3512-4052P1	PULLEY, (Z31/17)	1	
13	3PK3512-4148P1	FRAME, Mechanical (L)	1	
14	2PA3512-4120G1	GEAR, DRIVE ASSEMBLY (See Detail-B)	1	
15	⊕D3-6-F	SCREW	4	
16	4PP3512-3747P1	LEVER, ADF	1	
17	4PP3512-3748P1	BRACKET, Solenoid	1	
18	4YB3512-1626P001	SOLENOID	1	
19	4PP3512-3081P2	SPRING, Solenoid	1	
20	⊕D3-3-IOF	SCREW	2	
21	4PP3512-3034P2	GEAR, (218)	1	

ISSUE	DATE	REMARKS ON REVISIONS	<b>OK1</b>		TITLE
			DATE OF ISSUE	APPROVED	SECTION 4 DOCUMENT DRIVE ASSEMBLY 1/2
			CHECKED	DESIGNED	TITLE
TITLE: OF-38			DWG NO		

**OKI electric industry co., ltd.**

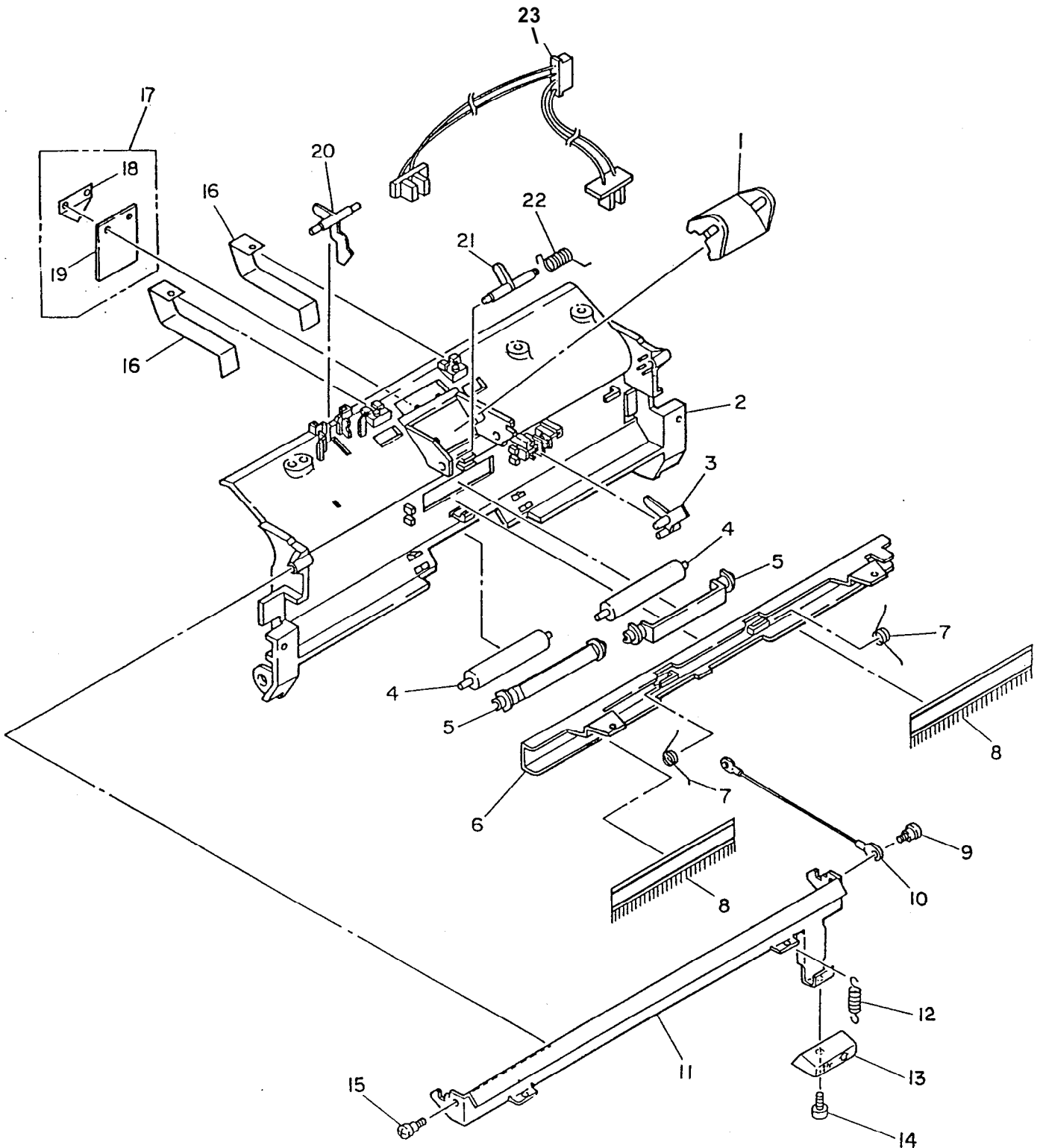
JAPAN

Item No.	OKI Parts Number	Description	Q'ty	Remarks
22	1PP3512-3690G1	FRAME, Mechanical (U)	1	
23	⊕D3-4-F	SCREW	2	
24	B74MX6.4	BELT, Feed roller drive	1	
25	3PA3512-3793G 1	FEED ROLLER ASSEMBLY, Top (Includes Items 4, 5, 26-28)	1	
26	3PP3512-3722P1	ROLLER, Feed top	1	
27	4PP3512-3729P1	GEAR, Roller feed top	1	
28	4PP3512-3728P1	PULLEY, Roller feed top	1	
29	3PA3512-3795G2	ADF ROLLER ASSEMBLY (Includes Items 4, 5, 30-32)	1	
30	NA3201-1130G1	ROLLER, ADF	1	
31	3PP3512-3721P1	SHAFT, ADF	1	
32	3PP3512-3727P2	GEAR, ADF one-way	1	
33	152A1013P0006 or 152A1001 P0034	BELT, Sub roller drive	1	
34	3PA3512-3796G2	SUB ROLLER ASSEMBLY Includes Items 35-39)	1	
35	CS TYPE 03	WASHER, Compression	1	
36	NA3201-1110P1	BUSHING, Metal	2	
37	3PP3512-4273P1	SUB ROLLER	1	
38	4PP3512-3743P1	PULLEY sub roller (215)	1	
39	140A1090P0002	SCREW, Set	1	

ISSUE	DATE	REMARKS ON REVISIONS	<b>OKI</b>		TITLE
					SECTION 4 DOCUMENT DRIVE ASSEMBLY 2/2
			DATE OF ISSUE	APPROVED	TITLE
			CHECKED	DESIGNED	
TITLE: OF-38					DWG NO

**OKI electric industry co., ltd.** JAPAN

SECTION 4 DOCUMENT DRIVE ASSEMBLY  
DETAIL A PAPER GUIDE(D) ASSEMBLY





Item No.	OKI Parts Number	Description	Q'ty	Remarks
1	3PP3512-3019P1	BRACKET, Buck up	1	
2	2PP3512-3694P1	GUIDE, Pinch roller	1	
3	4PP3512-3036P1	ACTUATOR, Door	1	
4	4PP3512-3046P1	ROLLER, Pinch	2	
5	3PP3512-3695P1	GUIDE, Pinch roller	2	
6	3PP3512-3713P1	BRACKET, Reinforcement	1	
7	4PP3512-3715P1	SPRING, Pinch roller	2	
8	4PP3512-3981P1	BRUSH, Earth	2	
9	4PP3512-3818P1	SCREW, Shoulder	1	
10	4PP3512-3834P1	ROPE, Steel wire	1	
11	3PP3512-3772P1	HOOK, Pinch release	1	
12	4PP3512-3847P1	SPRING, Pinch release	1	
13	3PP3512-3855P2	BUTTON, Pinch release	1	
14	⊕D3-6-F	SCREW	1	
15	4PP3512-3367P3	SCREW, Shoulder	1	
16	4PP3512-3752P1	SPRING, PLATE	2	
17	4PP3512-3170G1	SEPARATION RUBBER ASSEMBLY (Includes Items 18, 19)	1	
18	4PP3512-3096P1	MYLAR, ADF	1	
19	4PP3512-3095P1	RUBBER, Separation	1	
20	4PP3512-3696P1	ACTUATOR, Document	1	
21	4PP3512-3037P1	BAR, Pressure	1	

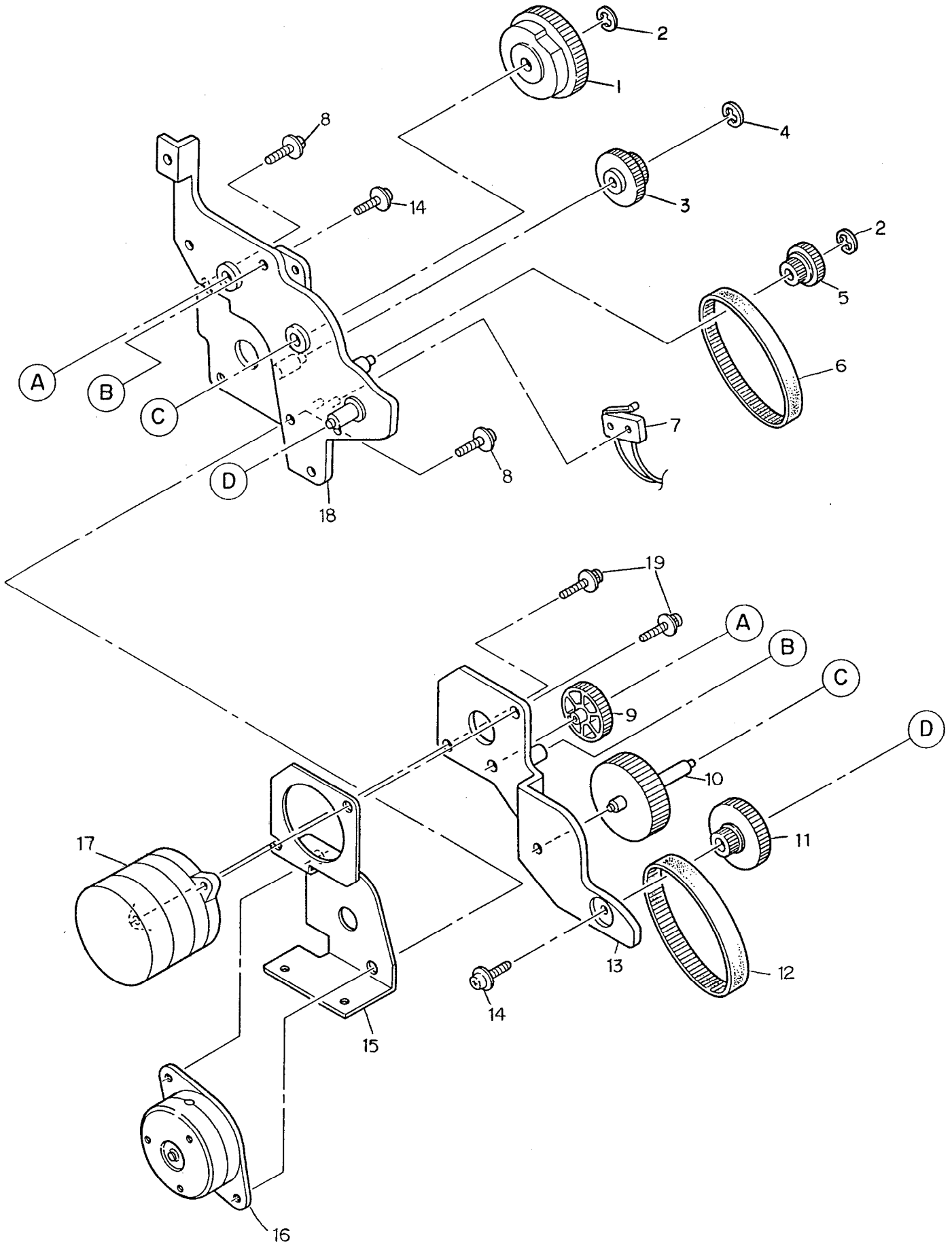
ISSUE	DATE	REMARKS ON REVISIONS	OKI S E C		I O N 4 DOCUMENT DRIVE ASSEMBLY 1/2	
			DATE OF ISSUE	APPROVED	TITLE DETAIL A PAPER GUIDE (D) ASSEMBLY	
			CHECKED	DESIGNED		
TITLE: OF-38					DWG NO	

**OKI electric industry co., ltd.**

JAPAN



SECTION 4 DOCUMENT DRIVE ASSEMBLY  
 DETAIL B DRIVE ASSEMBLY



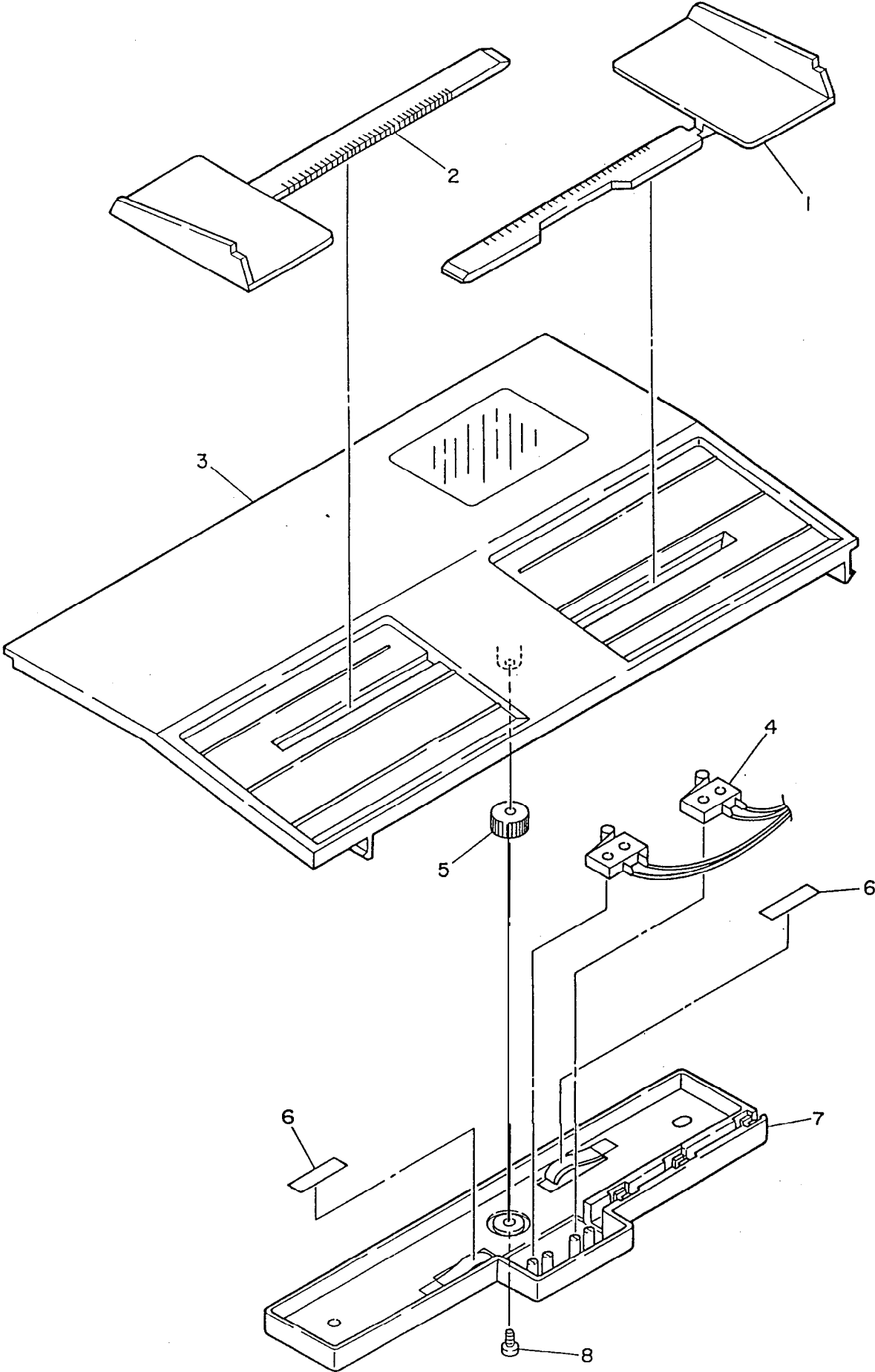
Item No.	OKI Parts Number	Description	Q'ty	Remarks
	4PP3512-3735P1	GEAR, Cutter	1	
2	CS TYPE 0 4	WASHER, Compression	2	
3	4PP3512-3738P1	GEAR, (Z41/17)	1	
4	CS TYPE 0 3	WASHER, Compression	1	
5	4PP3512-3763P1	PULLEY, (Z29/17)	1	
6	B61MX13.2	BELT, Exit roller drive (S)	1	
7	207A1027P0001	SWITCH, Micro	1	
8	⊕P(2W)3-8-HH	SCREW	2	
9	4PP3512-4050P1	GEAR, (248)	1	
10	4PP3512-4121G1	GEAR, (276)	1	
11	4PP3512-4051P1	PULLEY, (Z50/20)	1	
12	B71 MXL6.4	BELT, Feed roller transit	1	
13	3PP3512-4046P1	FRAME, Gear(B)	1	
14	⊕TTP(WH)3-8-HH	SCREW, Tapping	2	
15	3PP3512-4131P1	PLATE, Heat sink	1	
16	4YB3512-1544P3	MOTOR, Print	1	
17	4YB3512-1698P1	MOTOR, Scan	1	
18	2PP3512-4045P1	FRAME, Gear (A)	1	
19	⊕P(SW + W)4-12-HH	SCREW	2	

ISSUE	DATE	REMARKS ON REVISIONS	<b>OKI</b>		TITLE
					SECTION 4 DOCUMENT DRIVE ASSEMBLY
			DATE OF ISSUE	APPROVED	TITLE DETAIL B DRIVE ASSEMBLY
			CHECKED	DESIGNED	
TITLE: OF-38					DWG NO

**OKI electric industry co., ltd.**

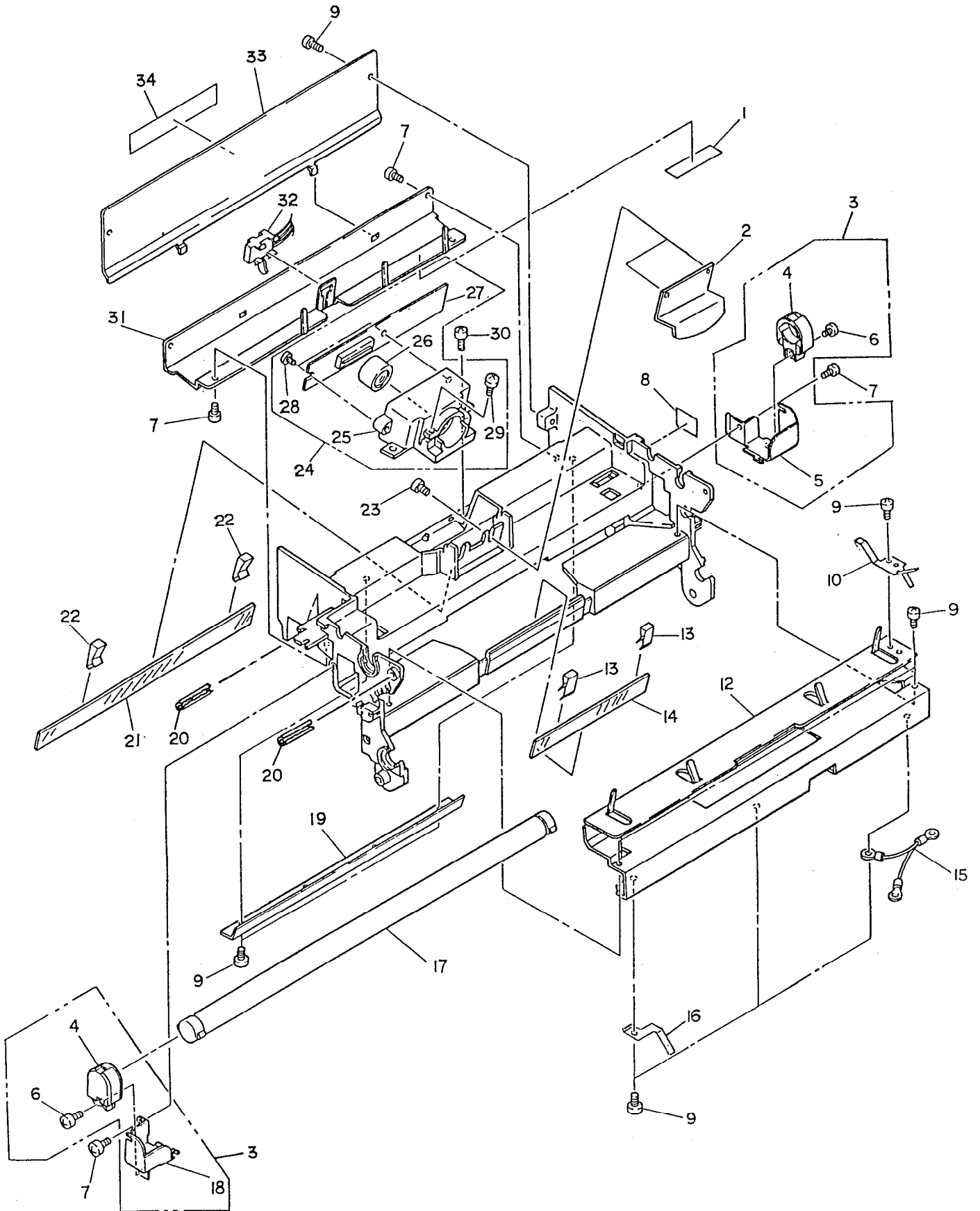
JAPAN

SECTION 4 DOCUMENT DRIVE ASSEMBLY  
DETAIL C PAPER COVER ASSEMBLY





SECTION 5 SCAN ASSEMBLY



item No.	OKI Parts Number	Description	Q'ty	Remarks
1	4PP3512-3275P2	LABEL, Over heat	1	
2	4PP3512-4240P1	PLATE, Shading	1	
3	4PA3512-4100G1	Cable ASSEMBLY W-6 (Includes Items 4, 5, 6, 18)	1	
4	4YS3512-1525P2	CABLE, W-6	1	
5	4PP3512-3984P1	BRACKET, F.L. Socket(R)	1	
6	⊕P(SW+W)3-10-HHC	SCREW	2	
7	⊕D3-6-F	SCREW	6	
8	4PP3512-3874P2	LABEL, Flourescent lamp	1	
9	⊕D3-3-IOF	SCREW	1	
10	4PP3512-3852P1	PLATE, Earth (U)	1	
11	⊕TTP3-6-HH	SCREW, Tapping	9	
12	3PP3512-3701P1	PLATE, Sheilding	1	
13	4PP3512-4000P1	SPRING, Mirror	2	
14	4PP3512-3784P2	MIRROR	1	
15	4PP3512-3851P1	CABLE, Earth	1	
16	4PP3512-3853P1	PLATE, Earth (L)	1	
17	4YB3512-1543P1	FLUORESCENT LAMP	1	
18	4PP3512-3985P1	BRACKET, F.L. Socket(L)	1	
19	4PP3512-3885P1	BRACKET, Reinforcement	1	
20	1020201-30012	Spring Pin	4	
21	4PP3512-3784P1	MIRROR	1	

ISSUE	DATE	REMARKS ON REVISIONS	OKI		TITLE
			DATE OF ISSUE	APPROVED	SECTION 5 SCAN ASSEMBLY 1/2
			CHECKED	DESIGNED	TITLE
TITLE: OF-38			DWG NO		

**OKI electric industry co., ltd.**

JAPAN

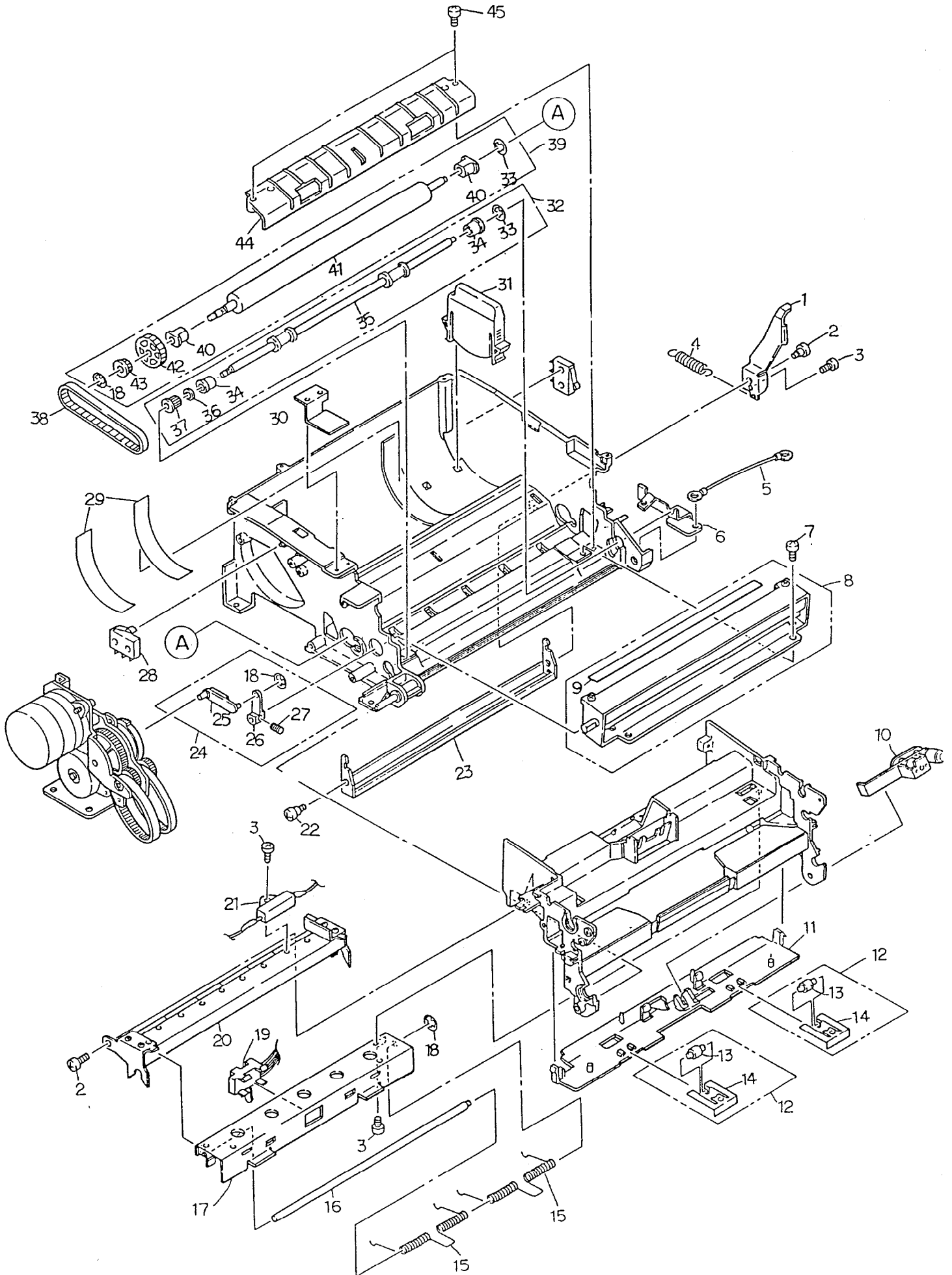


Item No.	OKI Parts Number	Description	Q'ty	Remarks
22	4PP3512-3782P1	SPRING, Mirror	2	
23	⊕P(SW + 2W)3-8-HH	SCREW	2	
24	3PA3512-3797G3	SCAN ASSEMBLY (Includes Items 25-29)	1	
25	2PP3512-3691P1	BRACKET, Scan	1	
26	4YB3512-1545P1	LENS	1	
27	4YU3512-1660G1	P.W.A. [SNS-18]	1	
28	⊕P(SW + 2W)4-10-HH	SCREW	2	
29	⊕TTP(WH)3-10-HH	SCREW, Tapping	1	
30	⊕P(SW + 2W)3-18-HHC	SCREW	2	
31	3PP3512-3816P1	COVER, Scan (A)	1	
32	4YB3512-1517P1	Jam Sensor	1	
33	3PP3512-3817P1	COVER, Scan (B)	1	
34	3PP3512-3986P2	LABEL, Paper load	1	

ISSUE	DATE	REMARKS ON REVISIONS	<b>OK1</b>		TITLE
					SECTION 5 SCAN ASSEMBLY 2/2
			DATE OF ISSUE	APPROVED	TITLE
			CHECKED	DESIGNED	
TITLE: OF-38					DWG NO

**OKI electric industry co., ltd.** JAPAN

# SECTION 6 PRINTING AND PAPER DRIVE ASSEMBLY




Item No.	OKI Parts Number	Description	Q'ty	Remarks
1	3PP3512-3770P1	LEVER, Thermal head release	1	
2	4PP3512-3367P2	SCREW, Shoulder	3	
3	⊕D3-6-F	SCREW	4	
4	4PP3512-3848P1	SPRING, Thermal head release	1	
5	4PP3512-3851P2	CABLE, Earth	1	
6	3PP3512-3854P1	PLATE, Earth (C)	1	
7	⊕P(SW + 2W)4-6-HHC	SCREW	2	
8	4YB3512-1513G2	CUTTER UNIT (Includes Item 9) - Except FTZ	1	
9	4PP3512-3940P2	LABEL, Cutter	1	
10	4YB3512-1516P4	STAMP ASSEMBLY	1	
11	2PP3512-3692P1	GUIDE, Exit(U)	1	
12	4PA3512-3809G1	ROLLER, Pinch (E) ASSEMBLY (Includes Items 13, 14)	2	
13	4PP3512-4212P1	ROLLER, Pinch exit	2	
14	4PP3512-3709P1	SPRING, Pinch exit	2	
15	4PP3512-3705P1	SPRING, Thermal head	2	
16	4PP3512-3707P1	SHAFT, Spring	1	
17	3PP3512-3702P1	BRACKET, Spring	1	
18	CS TYPE 03	WASHER, Compression	2	
19	4YB3512-1517P1	Jam Sensor	1	
20	4YB3512-1501P1 or 4YB3512-1548P1	THERMAL HEAD	1	
21	211A1002P0002	Heat Limiter Fuse	1	

ISSUE	DATE	REMARKS ON REVISIONS	<b>OKI</b>		TITLE
					TITLE
			DATE OF ISSUE	APPROVED	SECTION 6 PRINTING AND PAPER DRIVE ASSEMBLY 1/3
			CHECKED	DESIGNED	TITLE
TITLE: OF-38					DWG NO

**OKI electric industry co., ltd.**

JAPAN

item No.	OKI Parts Number	Description	Q'ty	Remarks
22	4PP3512-3818P1	SCREW, Shoulder	1	
23	3PP3512-3769P1	HOOK, Thermal head release	1	
24	4PA3512-3805G1	LINK Cutter ASSEMBLY (Includes Items 18, 25, 26, 27)	1	
25	4PP3512-3746P1	LINK, Cutter	1	
26	4PP3512-3745P1	LEVER, Cutter	1	
27	140A1090P0002	SCREW, Set	1	
28	207A1027P0001	SWITCH, Micro	2	
29	NA3201-1178P3	SLIP SHEET	2	
30	4PP3512-3983P1	PLATE, Guide(M)	1	
31	3PP3512-3725P1	ALIGNER, Paper roll	1	
32	3PA3512-3804G2	ROLLER, Exit ASSEMBLY (Includes items 33-37)	1	
33	CS TYPE Ø4	WASHER, Compression	2	
34	4PP3512-3750P1	BUSHING, Metal	2	
35	3PP3512-4289P1	ROLLER, Exit	1	
36	141A1111P0001	WASHER, Nylon	1	
37	4PP3512-3029P1	PULLEY, (Z17)	1	
38	B73MXL3.2	BELT, Exit roller drive (R)	1	
39	3PA3512-3803G1	ROLLER, Print ASSEMBLY (Includes Items 18, 33, 40-43)	1	
40	4PP3512-3776P1	BUSHING, Metal	2	
41	3PP3512-3724P1	ROLLER, Print	1	
42	4PP3512-3740P1	GEAR, Print (267)	1	

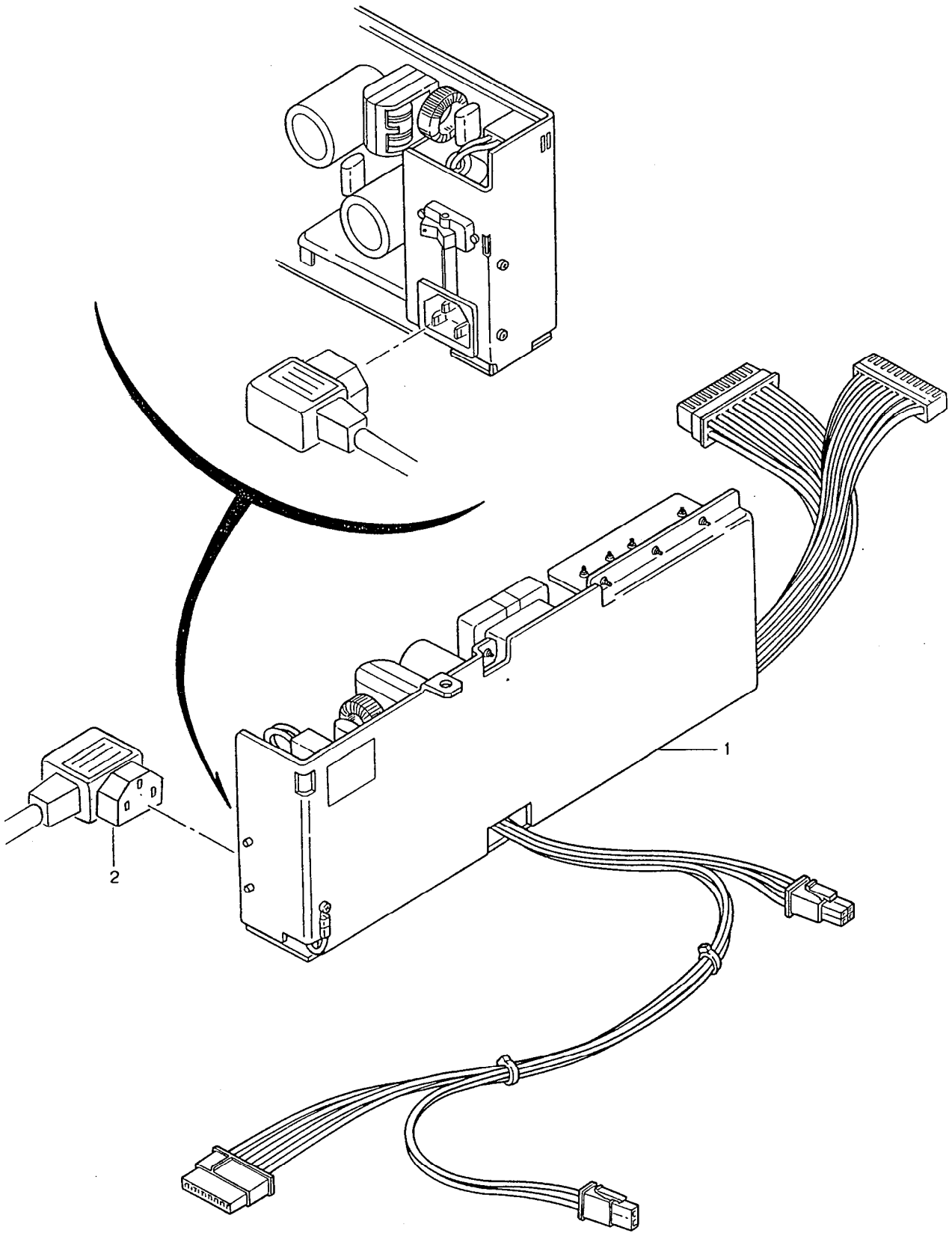
RSEUM ADRTK S O N R E V I S I O N S		TITLE
		SECTION 6
		PRINTING AND PAPER DRIVE ASSEMBLY 2/3
	DATE OF APPROVED ISSUE	TITLE
	CHECKED DESIGNED	
TITLE: OF-38		DWG NO

**OKI electric industry co., ltd.**

JAPAN

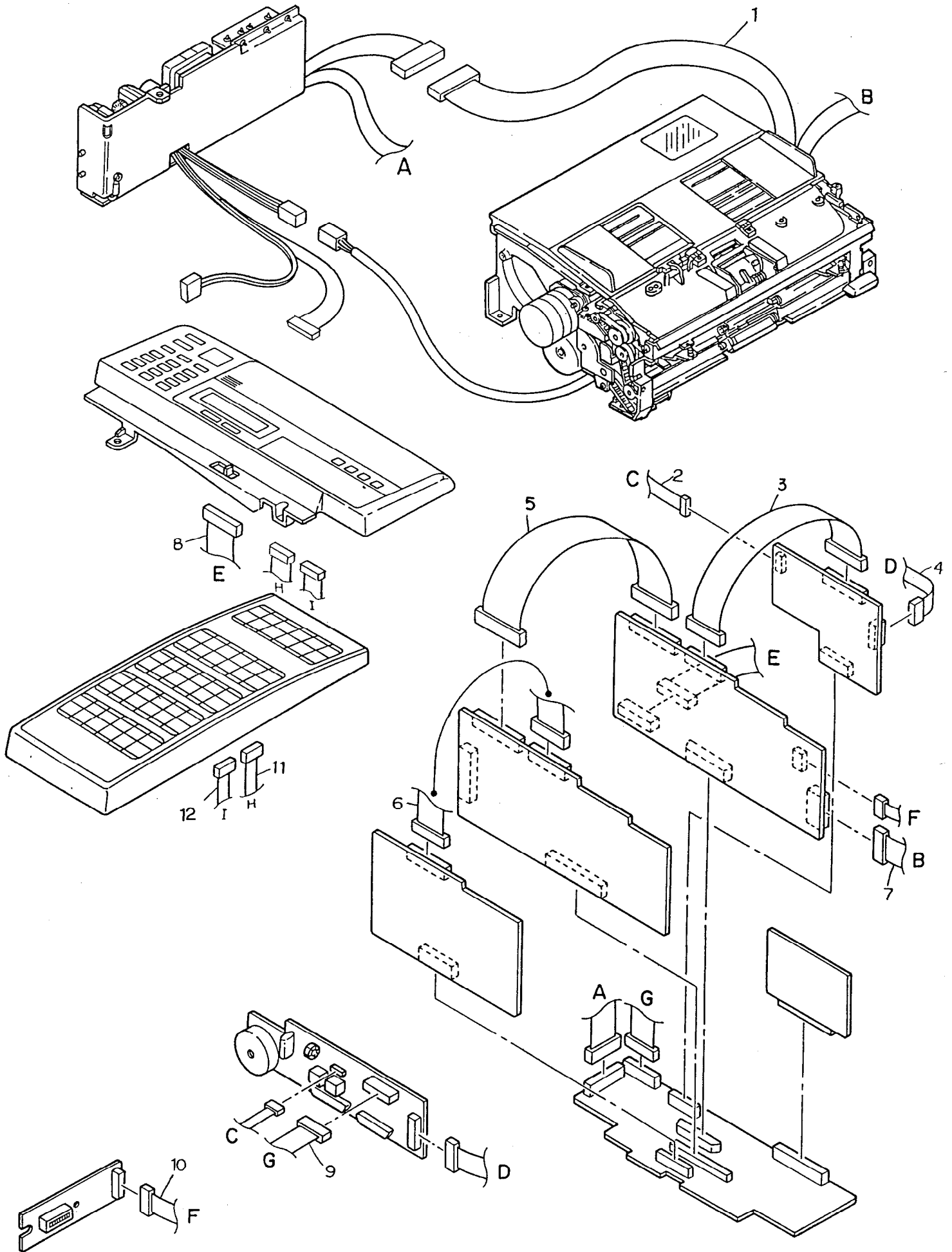


# SECTION 7 POWER SUPPLY UNIT





# SECTION 8 CABLES







*All specifications and details published are subject to change without notice*

# OKI

**Oki Electric Industry Co., Ltd.**

Head Office: Shuwa No.2 Kamiyacho Building

3-16-19, Toranomom, Minato-ku, Tokyo 105, Japan Tel: (03)5473-6511 Telex: J22627 Fax: (03)5473-6512



**OKI**

# **OKIFAX OF-38**

***Facsimile Transceiver***

**CIRCUIT DESCRIPTION**

